

## INSTALLATION INSTRUCTIONS

### CONTENT:

1. Important safety instructions.
2. Specifications and main measures.
3. Parts included.
4. Installation.
5. Adjusting the stroke length of the lift.
6. Declaration of conformity.



### WARNING

**WARNING:** FAILURE TO COMPLY WITH OR OBSERVE ALL ASSEMBLY, SAFETY AND OPERATION INSTRUCTIONS AND WARNINGS REGARDING THE USE OF THIS PRODUCT MAY RESULT IN SERIOUS BODILY INJURY.



## 1. Important safety Instructions.

**CAUTION: Before you begin any of the Installation procedures (4. Installation.), read and follow the warnings and safety instructions on this page.**

**WARNING ! THIS IS NOT A TOY !**

**WARNING ! CHILDREN SHOULD NOT OPERATE LIFT OR  
REMOTE CONTROL !**

Use the following safety guidelines to help protect your lift from potential damage and to ensure your own personal safety.

- Read all the installation instructions before testing or installing your lift.
- Read and follow all safety instructions.
- Keep remote control out of reach of children.
- To prevent bodily injury keep hands and clothing away from the lift while the lift is in operation.
- Before installing the lift or working with its connections, unplug the lift from the electrical shock.
- Do not install the lift, power supply or R.F. module in places subject to extreme temperatures for example near a radiator, or heating vent.
- The TV lift must only be mounted in a dry area and it must be ensured before use that the lift is safe or protected from liquid contact or spillage.
- To avoid damaging the power supply, R.F. module and power cord, do not put anything on it or place it where it could become damaged.
- Unplug the lift in the following conditions:
  - When the power cord or plug is damaged or frayed.
  - If liquid has spilled into the lift, power supply or RF module.
  - If the lift, power supply or RF module has been exposed to rain or water.
  - If the lift exhibits a distinct change in performance, indicating a need for servicing.
- MANUFACTURERS who build this Flat Lift into other products or use it with other products, MUST make sure to prevent bodily injury. The MANUFACTURER is responsible to give the end user proper warnings and instructions for use.

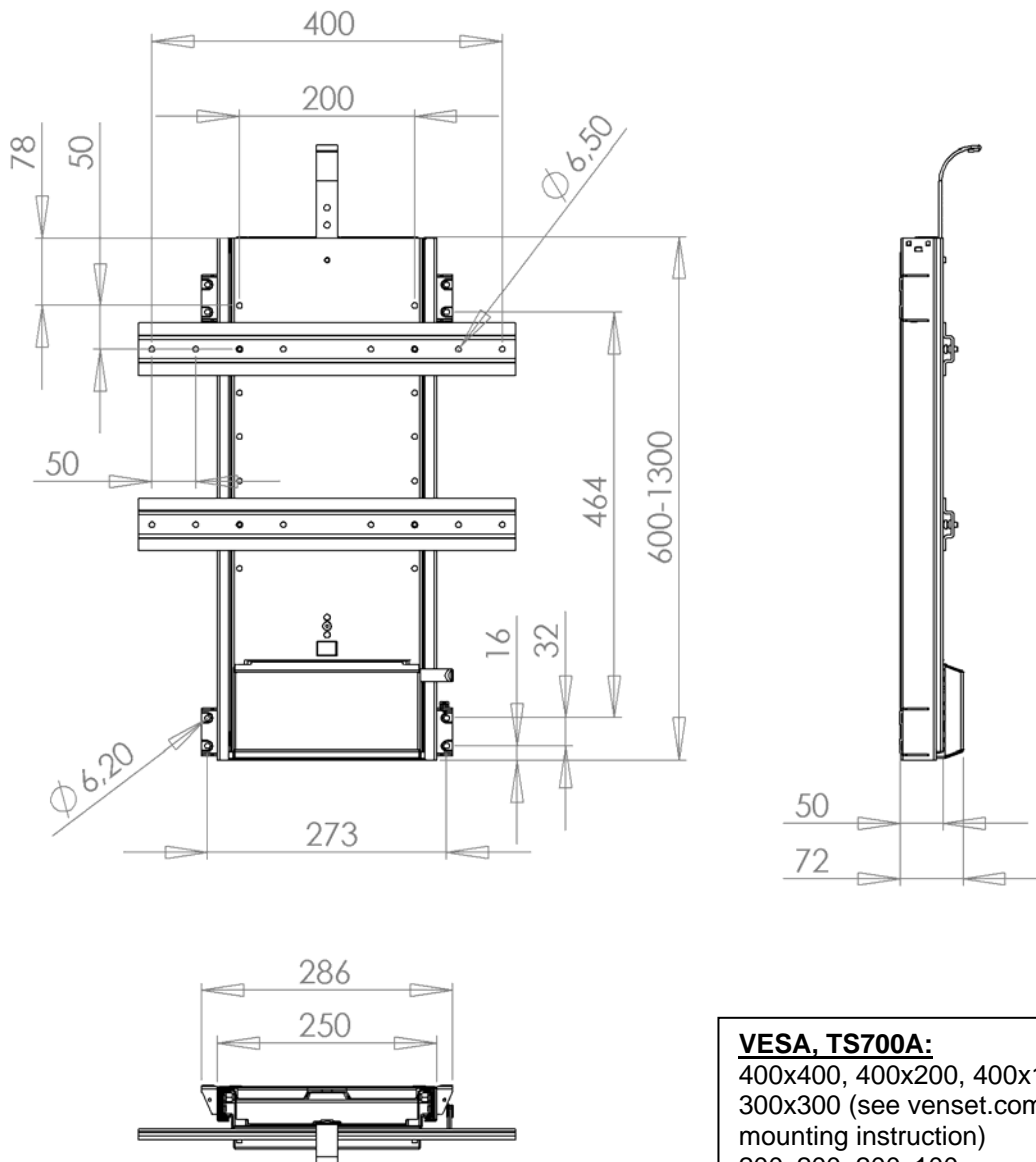
# Electric TV Lift, TS700A & TS1000A



## 2. Specifications and main measures.

<b>Materials and weights:</b>	Steel, black powder coated - Weight ~ 17/23 kg
<b>Min. Load on TV lift:</b>	5 kg
<b>Max. Load on TV lift:</b>	100 kg
<b>Operation:</b>	Remote & Rocker switch
<b>Voltage:</b>	110-240 VAC / 50-60Hz
<b>Consumption:</b>	100 Watt max. by 80 kg

### Main measures, TS700A [mm]:

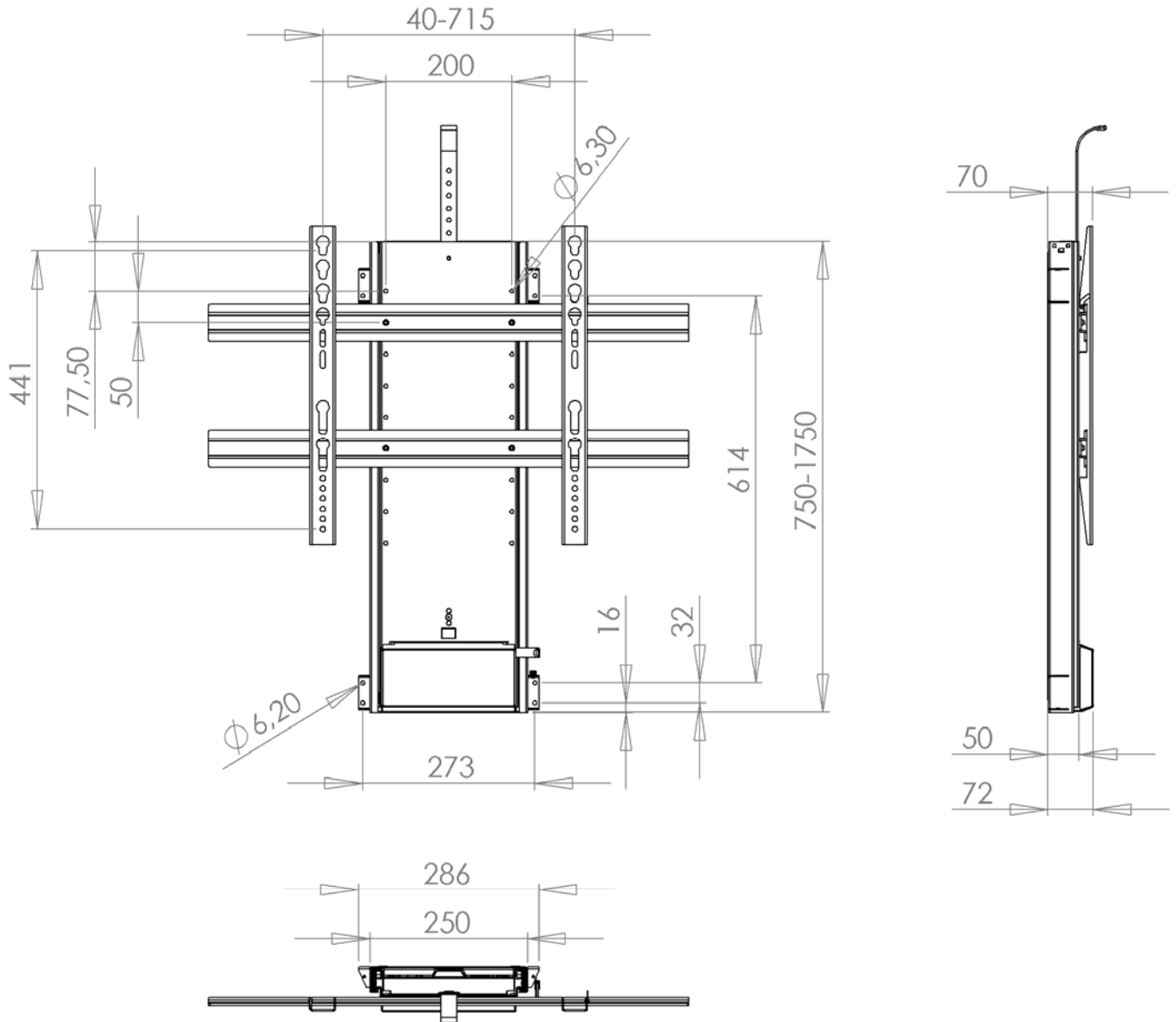


**VESA, TS700A:**  
 400x400, 400x200, 400x100  
 300x300 (see venset.com for  
 mounting instruction)  
 200x200, 200x100  
 100x100

# Electric TV Lift, TS700A & TS1000A



## Main measures, TS1000A [mm]:



### **VESA, TS1000A:**

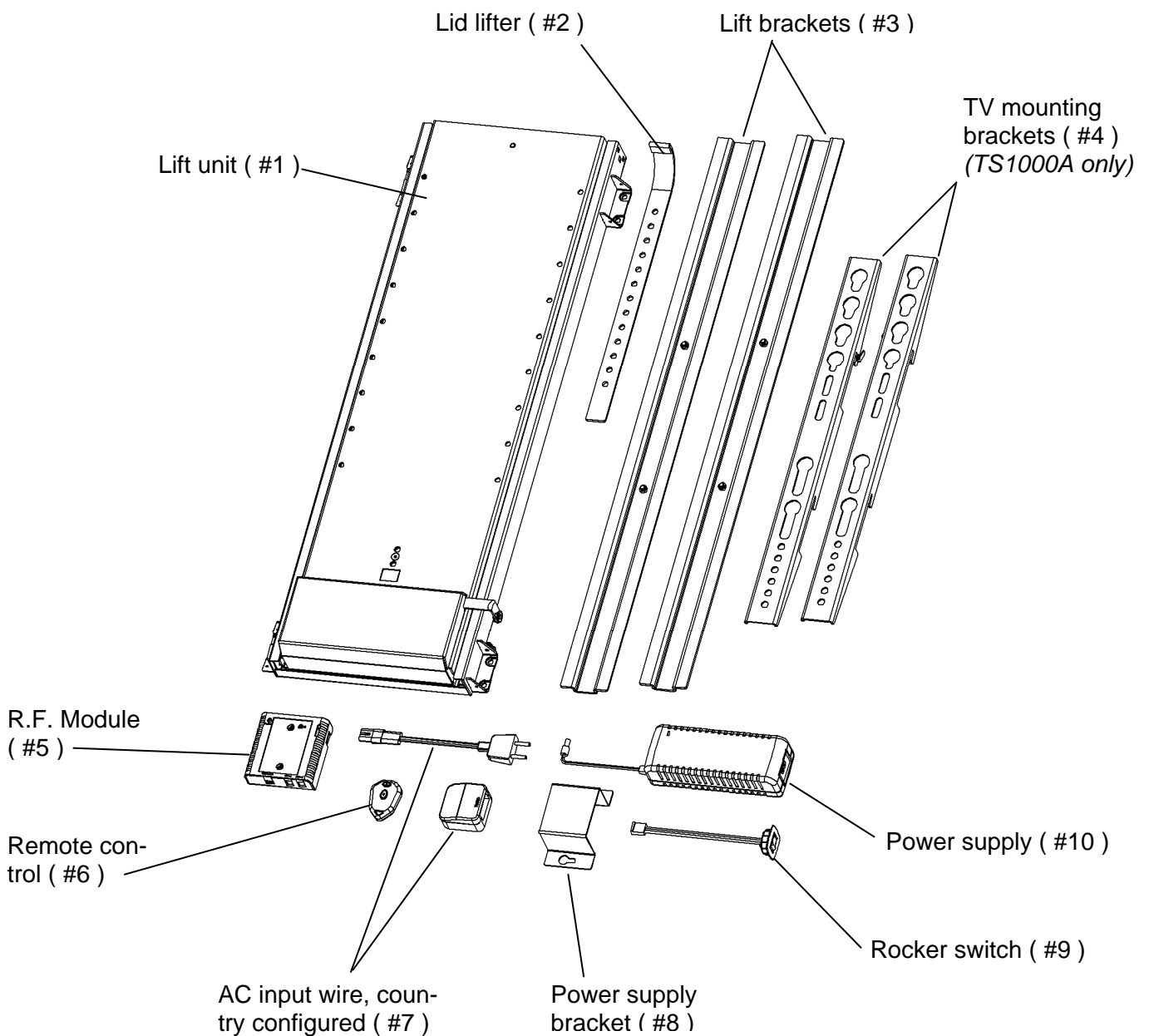
600x400, 600x200, 600x100  
400x400, 400x200, 400x100  
300x300  
200x200, 200x100

# Electric TV Lift, TS700A & TS1000A



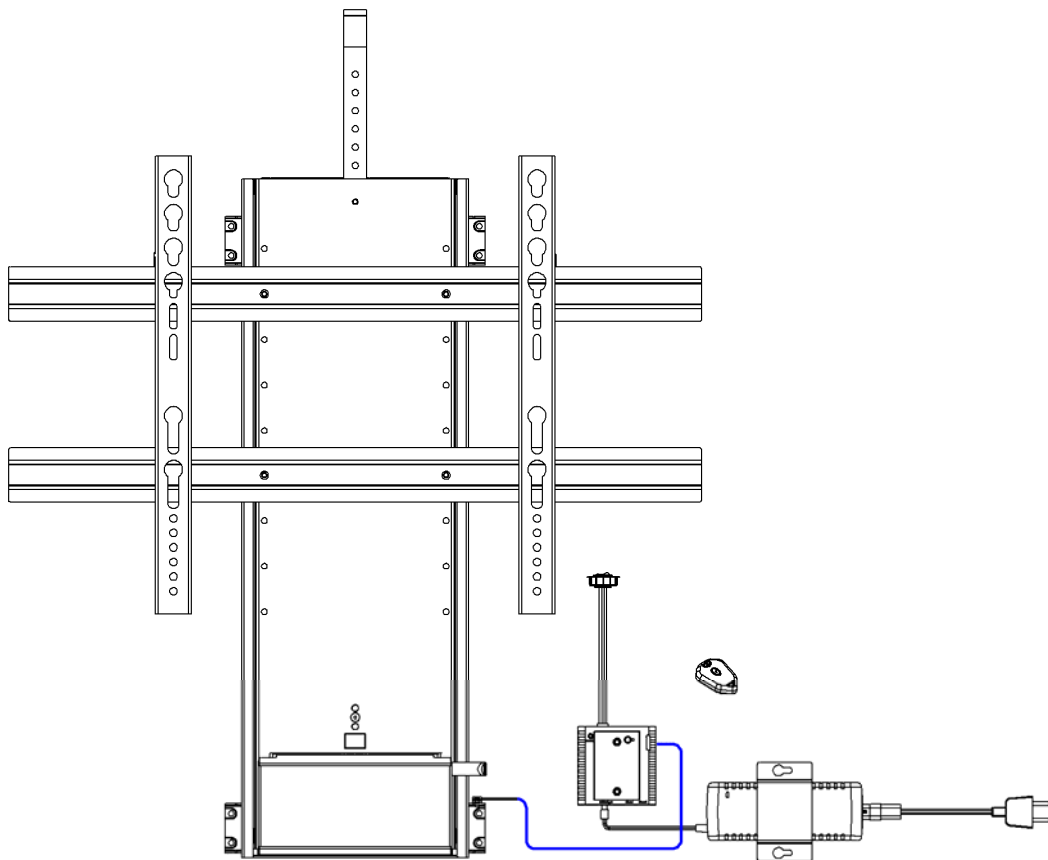
## 3. Parts included.

- Lift unit ( #1 )
- Lid lifter ( #2 )
- Lift brackets ( #3 )
- TV mounting brackets ( #4 ) (*TS1000A only*)
- R.F. Module ( #5 )
- Remote control ( #6 )
- AC input wire, country configured ( #7 )
- Power supply bracket ( #8 )
- Rocker switch ( #9 )
- Power supply ( #10 )



## 4. Installation.

- 1) Remove all contents from packaging and compare with parts list.
- 2) Place the lift unit (#1) on e.g. the back panel of cabinet in a location that will allow full up and down movement of the lift.
- 3) Fasten the unit securely to the cabinet. Screws must be appropriate for the material being used.
- 4) Connect the plugs from lift unit (#1) and power supply (#10) to R.F. Module (#5). Please also refer to the separate user instruction for the remote unit, next page.



- 5) Mount rocker switch (#9) on wanted location by cutting a hole and pressing the switch into place. Secure excess wire to keep away from moving parts.
- 6) Plug the power cord into wall outlet and test the lift. If the unit doesn't work, check all connections and retry. If still not working, refer to trouble shooting guide on [www.venset.com](http://www.venset.com), click "support".

**Helpful hint:** Mount TV lift and electronics to plywood panel and attach to inside back of cabinet using appropriate number of screws. This allows all components to be removed from the cabinet if necessary. If this is not possible, create an access panel to the electronics.

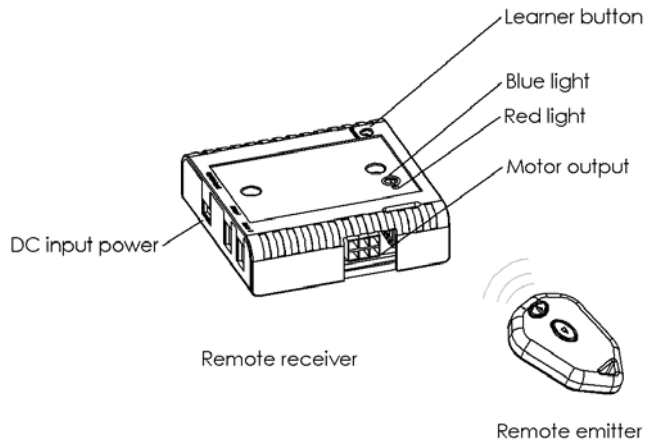
# Electric TV Lift, TS700A & TS1000A



## User instruction, RF remote system

### Installation

- connect the power supply and the motor unit to the remote receiver. 2 different plug sizes make this connection only possible to make in the right way
- after having connected the plugs, the blue light will be lightning
- push the emitter buttons and the motor unit will move up and down
- for stopping the motion one of the buttons need to be pushed



### Learning

- if the remote receiver do not respond when pushing the emitter buttons, reset the receiver. After that, code the emitter and receiver together again

### Coding

- push the learner button on the receiver for less than 1 sec.
- push one of the emitter buttons
- the red light will start flashing
- push one of the emitter buttons again and the red light will turn off
- the units now are coded together with a unique code

### Reset

- push and hold down the learner button on the receiver for 10 sec. (will be reset when the red light turns off).

### External rocker switch

- the external rocker switch can be connected to the receiver, if a fixed operation unit is required.

### Trouble shooting

- check the plug connections
- check whether the blue light is on
- reset the receiver and make a new coding

# Electric TV Lift, TS700A & TS1000A

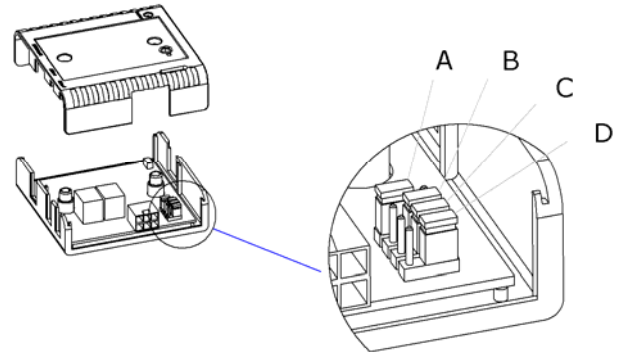


## Setting options for operation of lift

This remote system has 4 'jumpers' inside the remote receiver box, these can be lifted and positioned 'Left' or 'Right' depending of how the functionality of the lift should be.

**Jumper A – Power safety cut off time**  
Default 'Left' = 60 seconds. If moved to right position then the lift will power off automatically after the motor has run for 20 seconds.

**Jumper B – Remote emitter function**  
Default 'Right' = the buttons on the emitter only need to be pushed once for activation. If moved to the left position then the emitter button will need to be held down during the operation of the lift, ie..for use where a higher level of safety may be required.

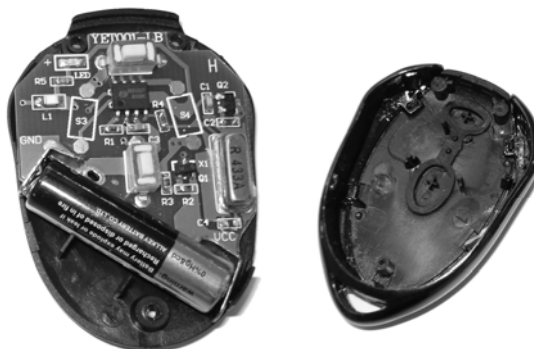


**Jumper C – Auto-reverse time (type A lifts only)**  
Default 'Right' = a reverse period of 1 second. If moved to the left position, the reverse time is reduced to 0.6 of a second.

**Jumper D – Using the lift upside down (type A lifts only)**  
Default 'Right' = normal operation in an upright position ie.. to raise a TV up and down from a floor standing cabinet. If moved to the left position the reverse function will work with the lift mounted up-side down ie.. to lower down and up a TV from the bottom of a wall mounted. If no reverse function is required then remove the jumper.

## **Change of battery in emitter (type 27A/12V)**

- remove lid on back side
- lift up battery
- place new battery



## **FCC Statement**

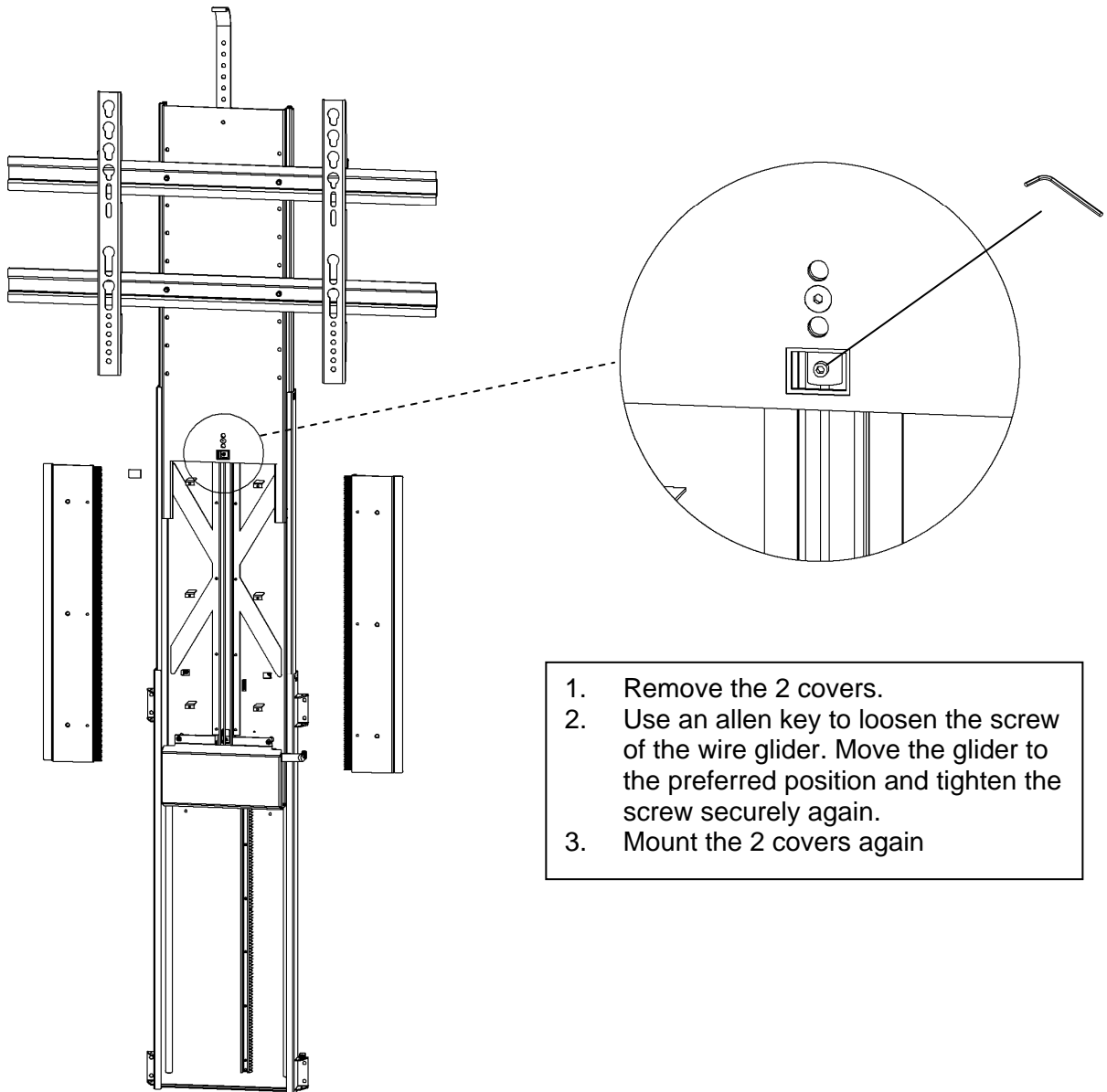
This device complies with Part 15 of the FCC rules. Operation is subject to the following two conditions; 1) This device may not cause any harmful interference and 2) This device must accept any interference received, including interference that may cause undesired operation.



**5. Adjusting the stroke length of the lift.**

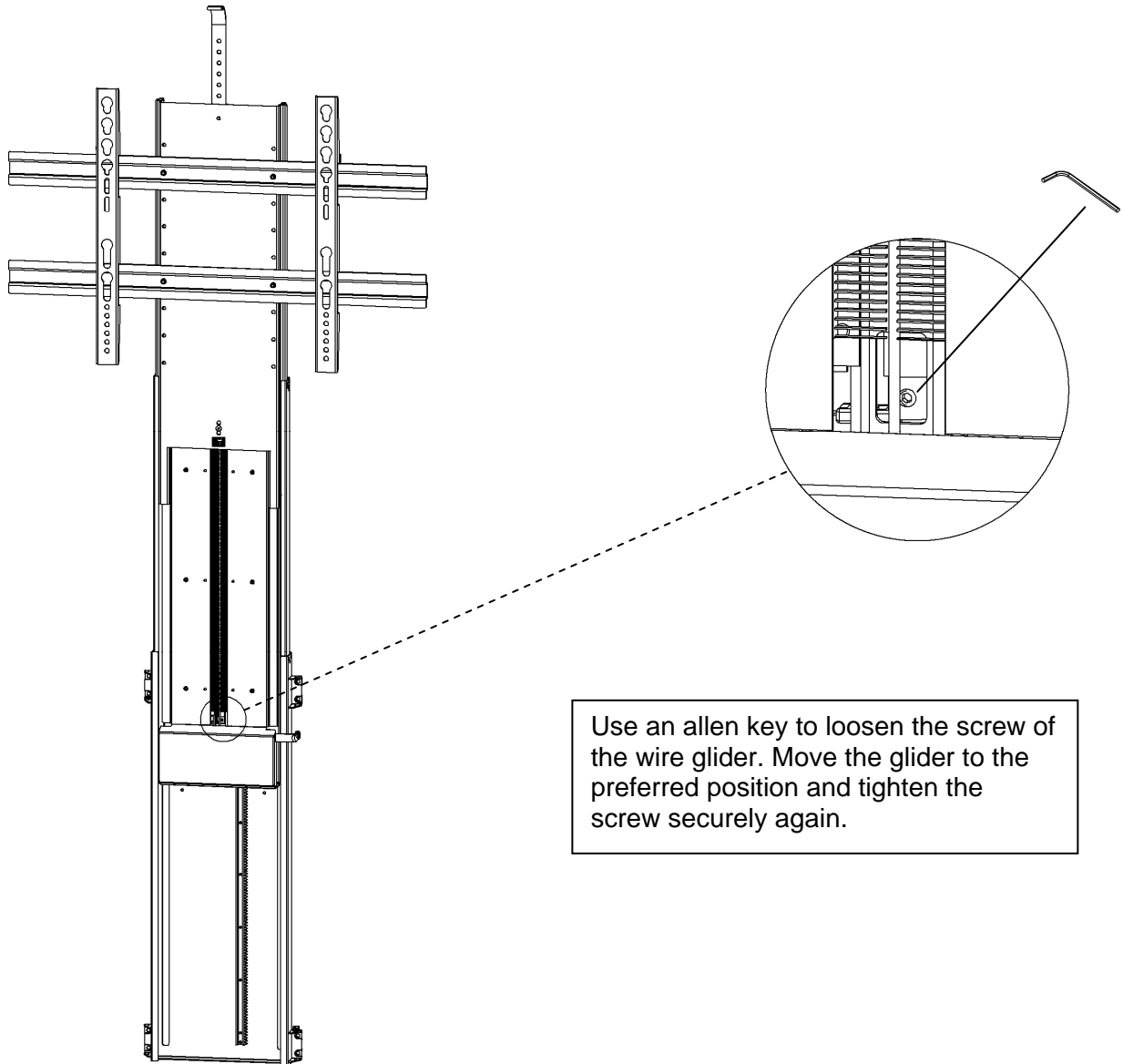
**Adjusting the bottom stop:**

The bottom stop can be adjusted to any preferred height, e.g. if you don't want the lift to go all the way down into the cabinet.



## Adjusting the top stop:

The top stop can be adjusted to any preferred height, e.g. if you don't want the lift to go all the way out of the cabinet.



Use an allen key to loosen the screw of the wire glider. Move the glider to the preferred position and tighten the screw securely again.

**6. Declarations of conformity.**

**Overensstemmelseserklæring**

Declaration of conformity

Fabrikant (navn og adresse): VENSET A/S, Nygade 63, DK-6900 Skjern, Denmark  
Manufacturer (name and address):

Erklærer hermed, at følgende produkt:  
Hereby certify that the following product:

Benævnelse, mærke, type: Description, ID/mark, type:	Elektrisk TV-lift, TS700 & TS1000 series Electric TV-lift, TS700 & TS1000 series
Evt. serienr.: Serial No. if any:	Alle efter serie nr. V-00067 All after serial No. V-00067

Er fremstillet i overensstemmelse med Europa-Parlamentets og Rådets Direktiv af 15. december 2004 om indbyrdes tilnærmelse af medlemsstaternes lovgivning om elektromagnetiske kompatibilitet (2004/108/EF) ifølge standarderne DS/EN 55014-1:2007, DS/EN 55014-2:1997, DS/EN 61000-3-2:2006, EN 61000-3-3:2008  
Complies with the EMC directive 2004/108/EC according to the standards DS/EN 55014-1:2007, DS/EN 55014-2:1997, DS/EN 61000-3-2:2006, EN 61000-3-3:2008

og er fremstillet i overensstemmelse med Europa-Parlamentets og Rådets Direktiv af 12. december 2006 om indbyrdes tilnærmelse af medlemsstaternes lovgivning om elektrisk materiel bestemt til anvendelse inden for visse spændingsgrænser (2006/95/EF) ifølge standarden DS/EN 60335-1:2006  
and complies with the DIRECTIVE 2006/95/EC OF THE EUROPEAN PARLIAMENT AND OF THE COUNCIL of 12 December 2006 on the harmonization of the laws of Member States relating to electrical equipment designed for use within certain voltage limits (codified version) according to the standard DS/EN 60335-1:2006

Navn, titel og underskrift af fabrikanten:  
Name, title and signature of manufacturer:

28/8-2008  
\_\_\_\_\_  
Dato/date

  
M. Overgaard  
Approval Engineer  
\_\_\_\_\_  
Underskrift/signature

  
VENSET A/S  
Nygade 63 · DK-6900 Skjern  
Tel: +45 9735 4611 · Fax: +45 9735 4631

# Electric TV Lift, TS700A & TS1000A



## EF – komponenterklæring type "bilag II B"

EEC Declaration of a component "appendix II B"

Fabrikant (navn og adresse):

Manufacturer (name and address):

VENSET A/S, Nygade 63, 6900 Skjern, Denmark

Erklærer hermed, at følgende produkt:

Hereby certify that the following product:

Benævnelse, mærke, type:

Description, ID/mark, type:

Elektrisk TV-lift, TS700 & TS1000 series

Electric TV-lift, TS700 & TS1000 series

Evt. serienr.:

Serial No. if any:

Alle efter serie nr. V-00067

All after serial No. V-00067

Evt. bemyndigede organ og nr.

Notified body if any:

Teknologisk Institut, Århus, Denmark

Evt. EF- typeattest:

EEC-type certificate if any:

Evt. Harmoniserede standarder:

Harmonised standards if any:

Er fremstillet i overensstemmelse med bekendtgørelse nr. 561 af 24. juni 1994, der gennemfører EUROPA-PARLAMENTETS OG RÅDETS DIREKTIV 98/37/EF

Made according to announcement No. 561 of June 24, 1994 that implements the DIRECTIV 98/37/EF

Ovennævnte produkt må **IKKE** tages i brug, før den maskine, hvori det er indbygget eller hvortil det skal anvendes er erklæret i overensstemmelse med alle relevante bestemmelser.

Above product may **not** be taken into use, before the machine into which it has been built in or to which purpose it must be used for, conform to any relevant regulations.

Navn, titel og underskrift af fabrikanten:

Name, title and signature of manufacturer:

28/8-2009

Dato/date

  
M. Børggaard  
Approval Engineer

Underskrift/signature

VENSET

VENSET A/S  
Nygade 63 · DK-6900 Skjern  
Tel: +45 9735 4611 · Fax: +45 9735 4631

The information in this document is subject to change without notice.