

TS700A Electrical lift with integrated reverse function

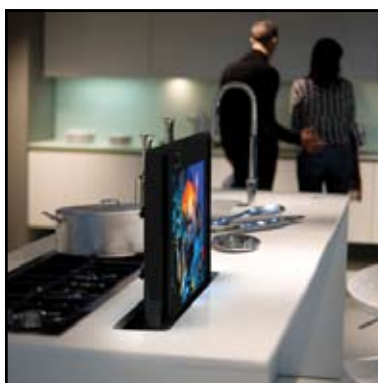
The TS700A is designed for small to large LCD/plasma screens. The lift has an incredible stroke compared to the required build-in height, which makes this unit usable for installation almost everywhere. The stroke can also be adjusted to limit the stroke height and/or the stroke drop.

Furthermore this lift has an anti-squeeze function. If the moving parts of the lift or the Plasma/LCD mounted on the lift meet an obstacle in the down-going motion, the lift will stop and reverse. The pressure given before reversing is equal to the weight of the TV that is mounted.

Remote controlled with RF. Lifting capacity 100kg.

Fits VESA:

400x300
400x200
400x100
300x300
200x200
200x100
100x100



TS700A Electrical lift

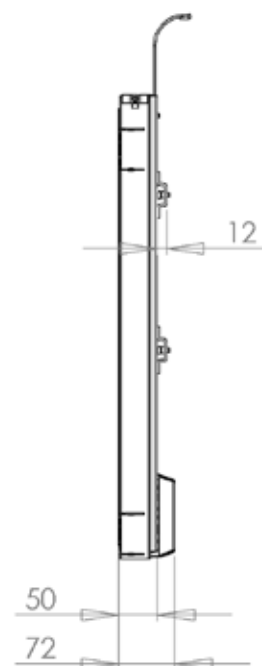
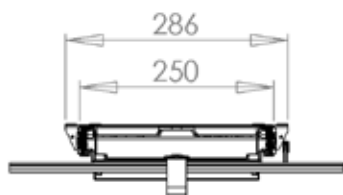
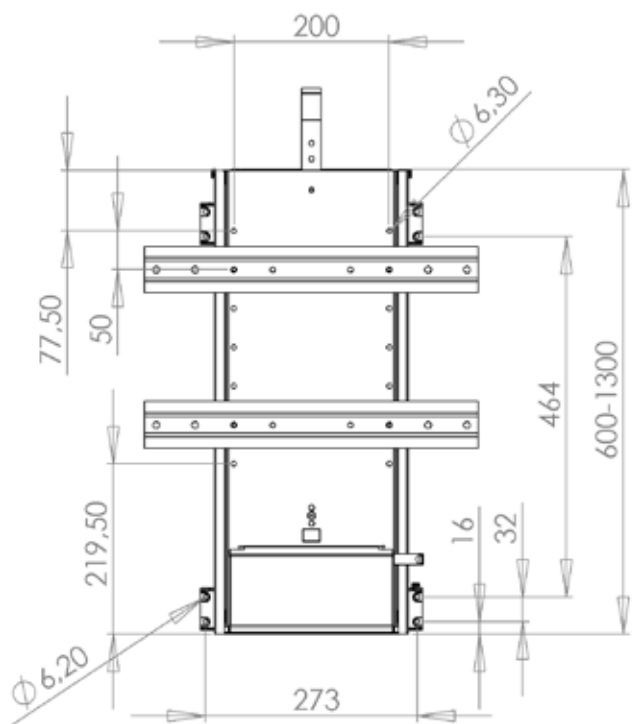
Component specifications

Metal sheet parts:	St 37-2
Gear parts:	St 70-2
Gear motor:	CSE 24V 116490
Power supply:	80W AC SMPS Power Transformer
Consumption:	80W; Standby: 0,5W
Plastic components:	PEHD, POM
Surface treatment:	Visible metal parts powder coated in black Non visible metal parts are surface treated (e.g. zinc plated)
Lifting capacity:	5-100 kg
Height:	600-1300 mm
Depth:	7,2 cm
Speed:	25 mm/sec

The electrical components can be connected once the lift has been mounted.

The mechanism can be operated up and down using the supplied remote control unit. When pushing "+" the lift will expand.

A manual with all needed information about the assembly is supplied with all products.



VENSET®